

OPTIFLEX fresh air inlets *made to measure*

w a l l i n l e t model WVV

Air inlet for wall mounting for vertical air supply



CAPACITY Q

in m³/hour/cm² at a negative pressure of:

5Pa	10Pa	15Pa	20Pa	25Pa
0,8	1,0	1,3	1,4	1,7



OPTIMAL AIR DISTRIBUTION

By means of the uniquely shaped flap and the width-height proportions of the valve, we can precisely adjust the air direction and the speed of the incoming airflow. Because of this an optimal mixture and draught-free distribution of the outdoor air is produced. As a result you are always assured of a well figured out ventilation system.



DEVELOPMENT & RENOVATION

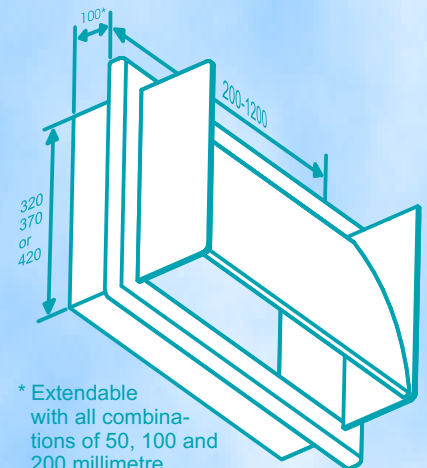
Suitable for fitting to brick walls, prefabricated concrete walls or sandwich panels. The fresh air inlets can be built into the walls during construction or later in preformed holes (+10 millimetres). The standard flange to the inner side guarantees a seamless and airtight connection to the wall.



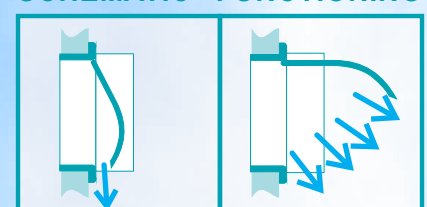
HYGIENIC AND DURABLE

Optiflex ventilation valves are made from double or triple walled PVC sections. This excellent synthetic material is practically everlasting. It is also an excellent insulator and very easy to clean. The aerodynamic form of this smooth material contributes to low energy use.

MEASUREMENTS

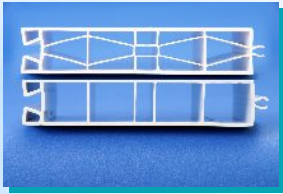


SCHEMATIC FUNCTIONING



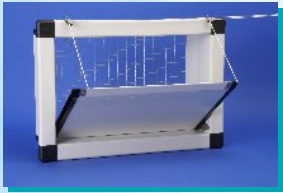
OPTIFLEX fresh air inlets *made to measure*

options available



EXTRA INSULATION CELLS

To prevent condensation and freezing of the flaps at large temperature differences, the flaps can be produced with extra insulation cells. The double wall sections are replaced by triple walled ones.



CURVED OR STRAIGHT FLAP

Usually the curved flap is the best shape for good fresh air distribution. With a straight flap it is possible for certain types of stables to give the air stream another desired direction.



FLANGE TO THE OUTER SIDE

Upon request the flange can be moved from the inner side to the outer side of the inlet. Measurements in a wind tunnel test confirmed that the efficiency of the inlet increases by 15% and also gives a more aesthetic finishing touch to the outer side.



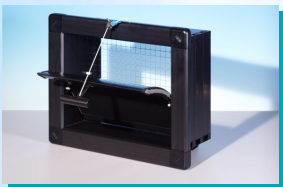
DOUBLE FLANGE

This also benefits from increased efficiency, and can allow connection of both the inside as well as the outside of the inlet, seamlessly and airtight onto the walls.



DAYLIGHT SUPPLY

To confirm with daylight calculations, all Optiflex products can be supplied as daylight models. By carrying out the inlet in transparent synthetic material, the fresh air inlet also functions as a daylight supply.



IN THE COLOUR BLACK

To reflect less light, Optiflex products can be provided in the colour black.



COMPACT DO-IT-YOURSELF KIT

To save on transportation costs (up to 70%) Optiflex products can be supplied as a do-it-yourself kit, as two pieces packed within a carton box, or as bulk packaging to maximise utilization of truck or sea container volume.



<http://www.scan-air.nl/optiflex/>



Postbus 105 Spoorstraat 42A +31 485 453734 info@scan-air.nl
NL-5450AC Mill NL-5451GB Mill +31 485 454985 www.scan-air.nl

Versatile in fresh air inlets